

Programmes After Market Services NS* - 1/3 Series Transceivers

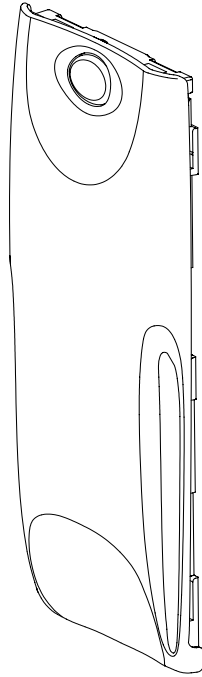
Nonserviceable Accessories

Contents

	Page No
Slim Battery BLS-2S	5
Standard Battery BMS-2	6
Vibrator Battery BMS-2V	7
Slim Battery BLS-2H	8
Extended Battery BLS-4	9
AC Travel Charger ACP-7	10
Performance Travel Charger ACP-9	11
Fast Travel Charger ACP-9	12
Cigarette Lighter Charger LCH-9	13
Desktop Stand DCH-9	14
Mobile Holder MBC-1	15
Mobile Holder MCC-1	16
Power Cable PCH-4J	17
Handsfree Microphone HFM-8	18
Handsfree Speaker HFS-12	19
Mounting Plate MKU-1	20
Swivel Mount HHS-9	20
Headset HDC-9	21
Loopset Unit LPS-1	22
Belt Clip BCH-12	23
Belt Clip BCH-16	23
External Antenna Cable XRC-1	24
External Antenna Cable XRC-2	24
Data Adapter Cable DAC-2	25
RS232 Adapter Cable DLR-3	25
Handsfree Unit HFU-2	26

Slim Battery BLS-2S

The BLS-2S is a Li-ion lightweight battery with 900 mAh capacity.



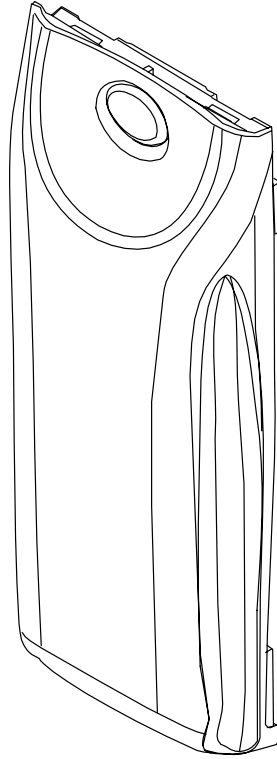
Product Code

Slim Battery BLS-2S:

0670234

Standard Battery BMS-2

The BMS-2 is a NiMH battery with 900 mAh capacity.



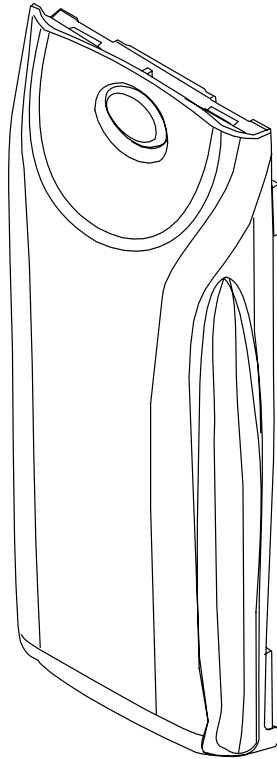
Product Code

Standard Battery BMS-2:

0670123

Vibrator Battery BMS-2V

The BMS-2V is a NiMH battery with 900 mAh capacity and a vibrator.



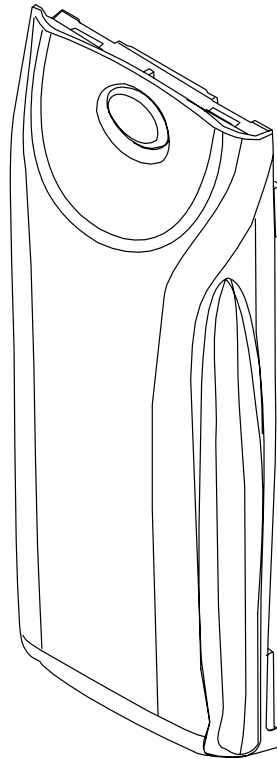
Product Code

Vibrator Battery BMS-2V:

0670225

Slim Battery BLS-2H

The BLS-2H is a Li-ion light battery with 1000 mHa capacity.



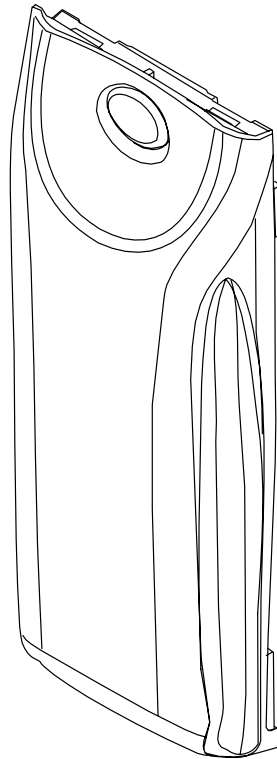
Product Code

Slim Battery BLS-2H:

0670235

Extended Battery BLS-4

The BLS-4 is a Li-ion battery with 1500 mAh capacity.



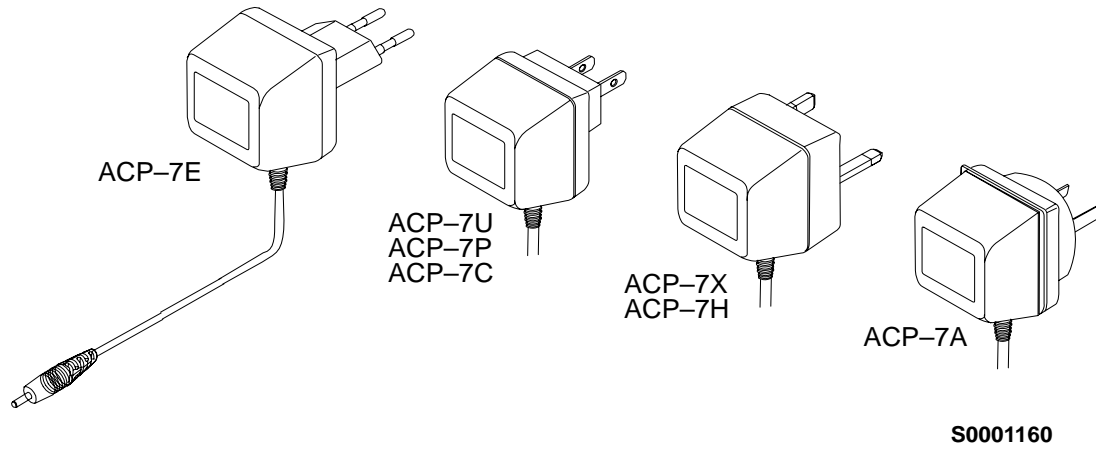
Product Code

Extended Battery BLS-4:

0670207

AC Travel Charger ACP-7

The standard charger is available for different voltage levels and comes with different wall plugs. The standard charger also can be used as a power supply for the basic stand and desktop stand.



Product Codes

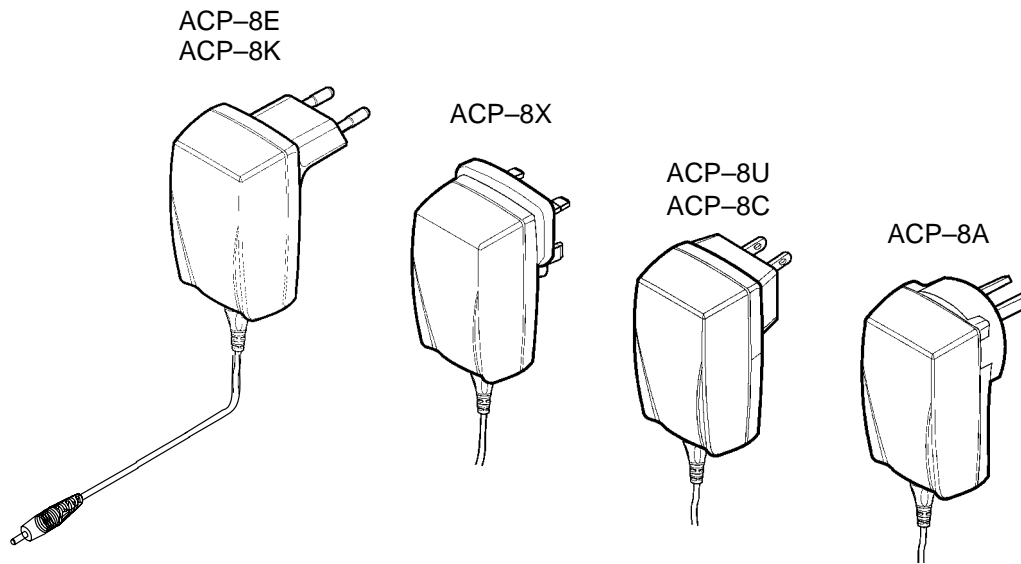
AC Travel Charger (Euro plug) 207–253 Vac	ACP-7E	0675144
AC Travel Charger (US plug) 108–132 Vac	ACP-7U	0675143
AC Travel Charger (US plug) 207–253 Vac	ACP-7P	0675147
AC Travel Charger (US plug) 198–242 Vac	ACP-7C	0675158
AC Travel Charger (UK plug) 207–253 Vac	ACP-7X	0675145
AC Travel Charger (UK plug) 180–220 Vac	ACP-7H	0675146
AC Travel Charger (Australia) 216–264 Vac	ACP-7A	0675148

Specification

Output connectors:	<i>3.5 mm DC plug, 2-pole</i>
Protection:	PTC protection
Output Voltage /Current (typ)	7.6 V / 370 mA

Performance Travel Charger ACP-9

The standard charger is available for different voltage levels and comes with different wall plugs. The standard charger also can be used as a power supply for the basic stand and desktop stand.



Product Codes

Performance Travel Charger	Euro plug 90-264 Vac	ACP-8E 0675195
Performance Travel Charger	Korea plug 90-264 Vac	ACP-8K 0675199
Performance Travel Charger	UK plug 90-264 Vac	ACP-8X 0675197
Performance Travel Charger	US plug 90-264 Vac	ACP-8U 0675196
Performance Travel Charger	China plug 90-264 Vac	ACP-8C 0675211
Performance Travel Charger	Australia plug 90-264 Vac	ACP-8A 0675214

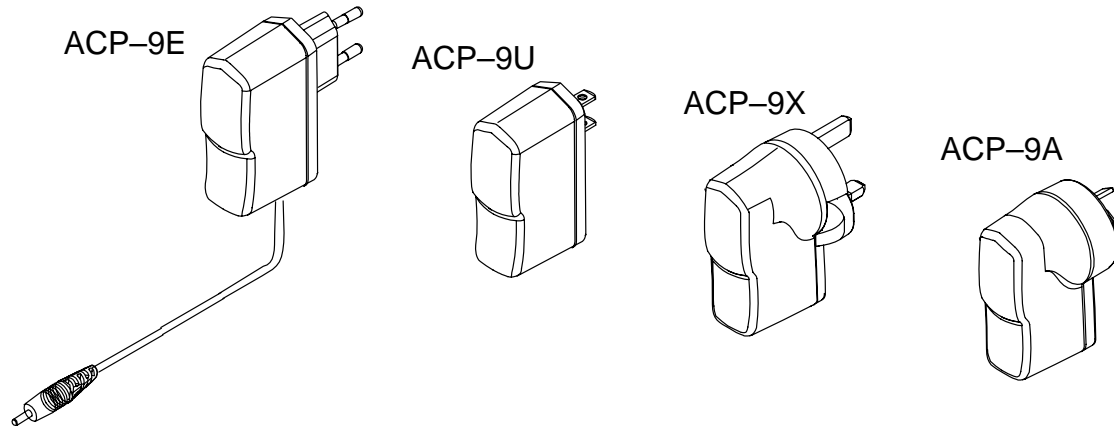
Specification

Dimensions:	70 x 40 x 56 mm
Weight:	75+35 (cable)g
Output Voltage:	6.0V + 0.3V/-0.7V
Input Voltage:	90 to 264VAC 50/60 Hz

Fast Travel Charger ACP-9

Operating within the voltage range 90 V...264 V AC (50 Hz...60 Hz), the Fast Travel Charger is practically current independent in normal office and household use. Like the standard charger, it is compatible with all battery options and is available for different wall sockets.

The Fast Travel Charger can also be used with desktop stand.



Product Codes

Fast Travel Charger (Euro plug) 90-264 Vac	ACP-9E	0675149
Fast Travel Charger (US plug) 90-264 Vac	ACP-9U	0675151
Fast Travel Charger (UK plug) 90-264 Vac	ACP-9X	0675150
Fast Travel Charger (Australia) 90-264 Vac	ACP-9A	0675152
Output cable	PCC-1	0730076

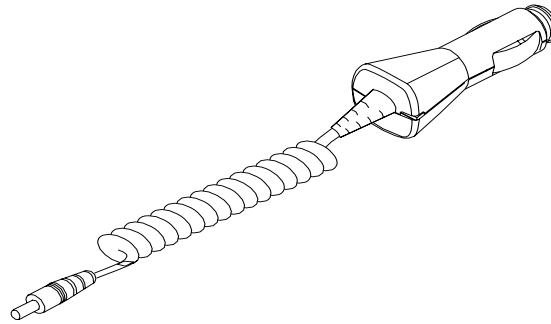
Specification

Output connectors:	3.5 mm DC plug, 3-pole (+, -, control)
Protection:	output current limiting, max. 850 mA output voltage limiting, max. 9.3 V (unloaded)
Output voltage/current (typ):	8.4 V / 800 mA

Cigarette Lighter Charger LCH-9

A green light indicates that the cigarette lighter charger is ready for charging. Check the charging status on the phone display. The input voltage can be from 11 or 32 Vdc, negative grounding.

Universal mobile charger can be used with all car accessories provided for your phone.



Product Code

Universal mobile charger LCH-9: 0657120

Specification

Connectors

input: *D 21/23 mm*
output: *3.5 mm DC plug*

Protection: *input fused, output current limit 850 mA*

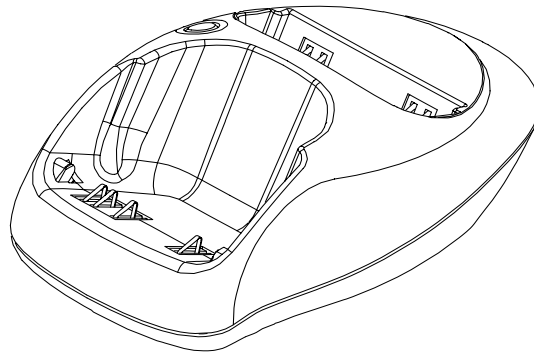
Voltage

input: *11...32 V*
output (nominal): *8.4 V*

Nominal output current: *800 mA*

Desktop Stand DCH-9

The desktop stand provides mounting place for both the phone and a spare battery.



Product Code

Basic stand DCH-9: *0700049*

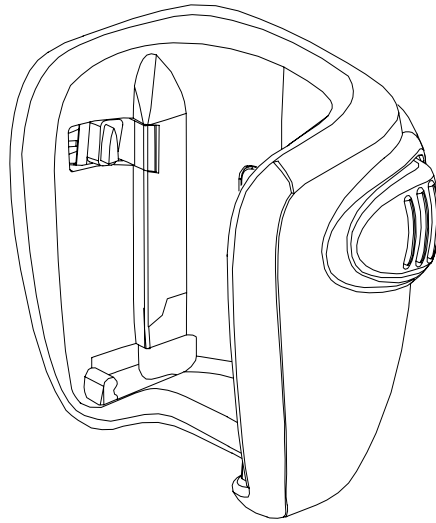
Specification

Connections: *3.5 mm DC jack*

Charge control: MCU control for spare battery charging

Operation input voltage: *9...16 V_{par} Universal*

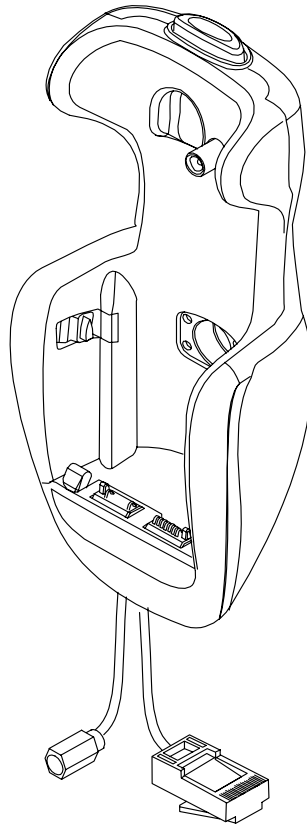
Mobile Holder MBC-1

**Product Code**

Mobile Holder MBC-1:

0700060

Mobile Holder MCC-1

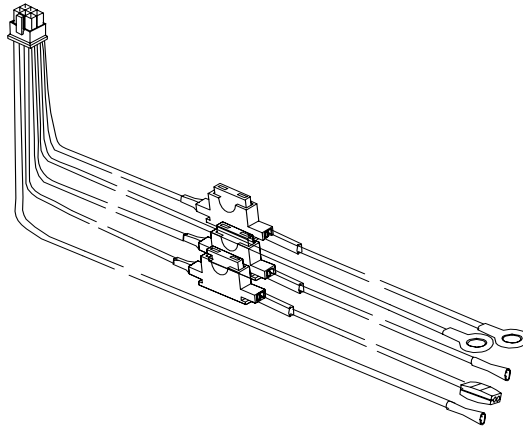


Product Code

Mobile Holder MCC-1:

0620043

Power Cable PCH-4J



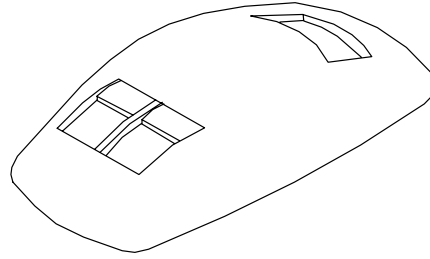
Product Code

Power Cable PCH-4J:

0730055

Handsfree Microphone HFM-8

The HFM-8 microphone forms part of the compact handsfree unit.

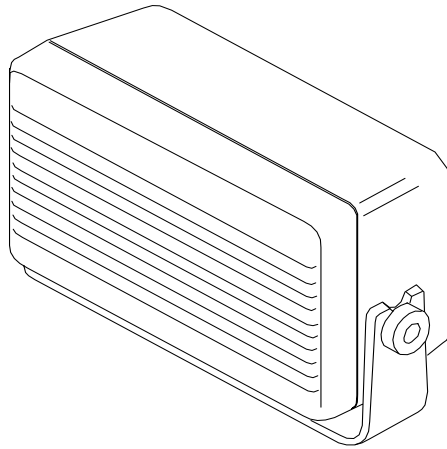


Product Code

Handsfree Microphone HFM-8: 0690016

Handsfree Speaker HFS-12

The HFS-12 speaker forms part of the compact handsfree unit.

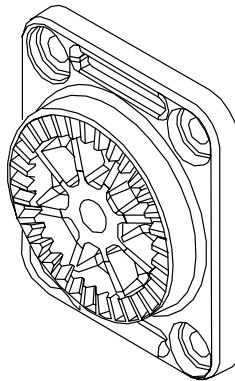


Product Code

Handsfree Speaker HFS-12: 0692008

Mounting Plate MKU-1

The MKU-1 mounting plate provides a method of fixing the phone holder, the compact handsfree unit, or the handset to the vehicle interior.

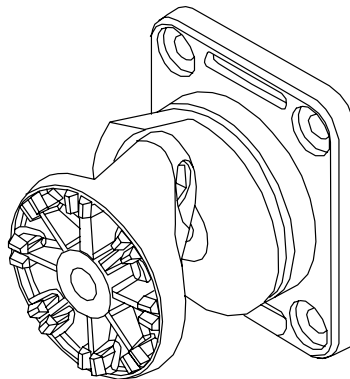


Product Code

Mounting Plate MKU-1: 0620036

Swivel Mount HHS-9

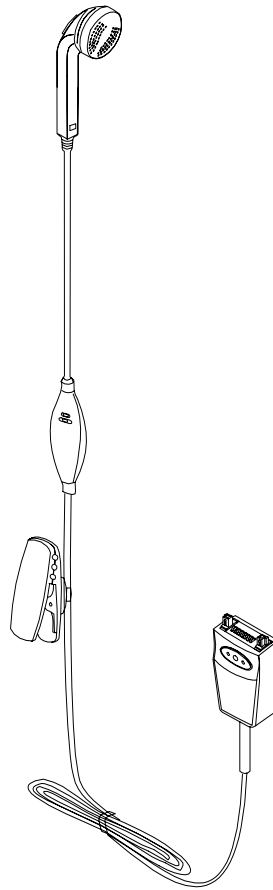
The HHS-9 swivel mounting plate provides an alternative (to MKU-1) method of locating the phone holder, the handsfree unit, or the handset.



Product Code

Swivel Mounting Plate HHS-9: 0620037

Headset HDC-9

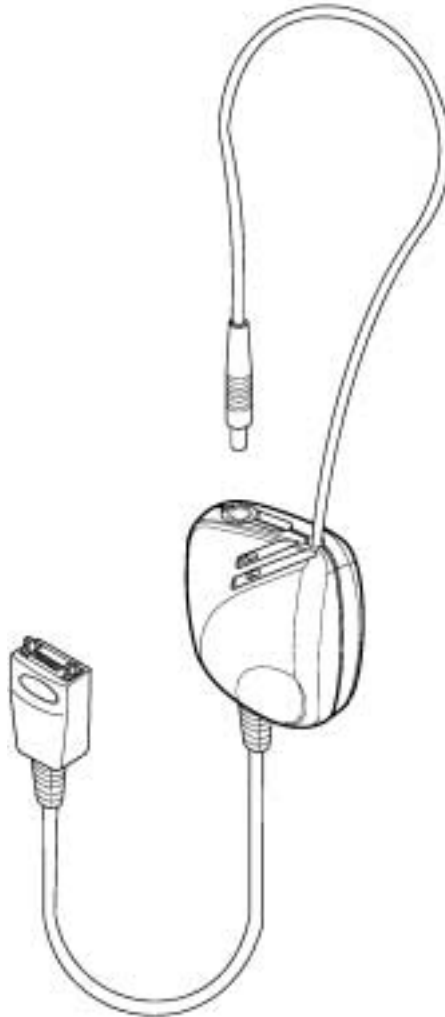
**Product Code**

Headset HDC-9:

0694053

Loopset Unit LPS-1

Aid device for simultaneous use of hearing aid and digital mobile phone. Connection directly to the system connector of a transceiver.

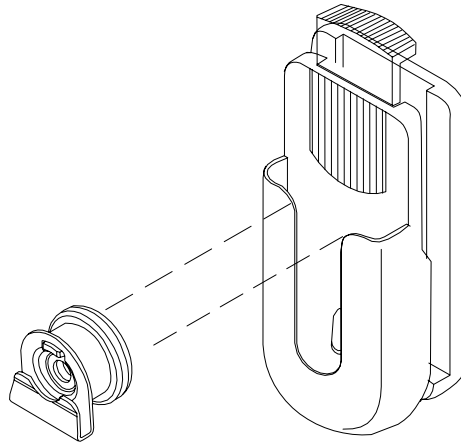


Product Code

Loopset LPS-1:

0201179

Belt Clip BCH-12

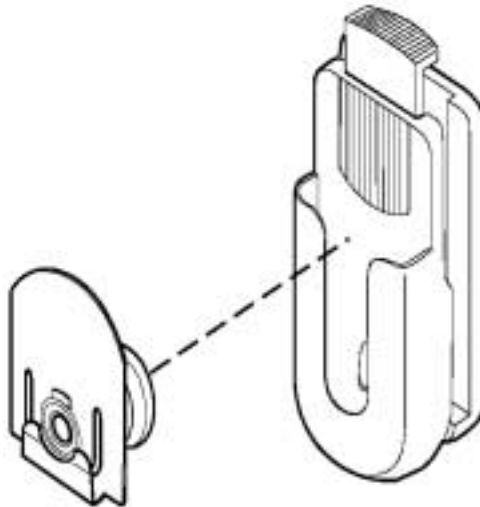


Product Code

Belt Clip BCH-12:

0720098

Belt Clip BCH-16



Product Code

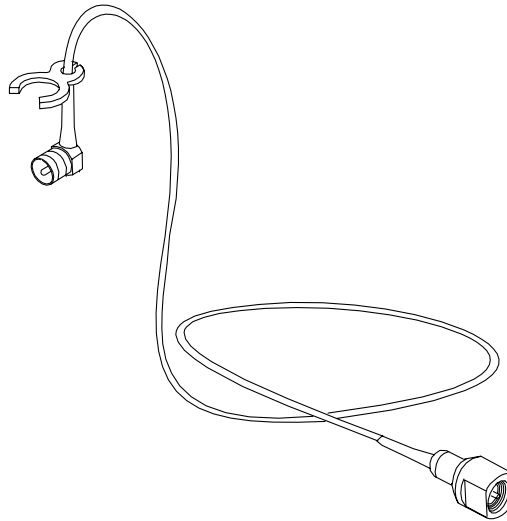
Belt Clip BCH-16:

0720145

NOTE: Belt Clip BCH-12 **MUST NOT** be used with **NSM-1** phone.

External Antenna Cable XRC-1

The External Antenna Cable is used to connect the phone to an external antenna.

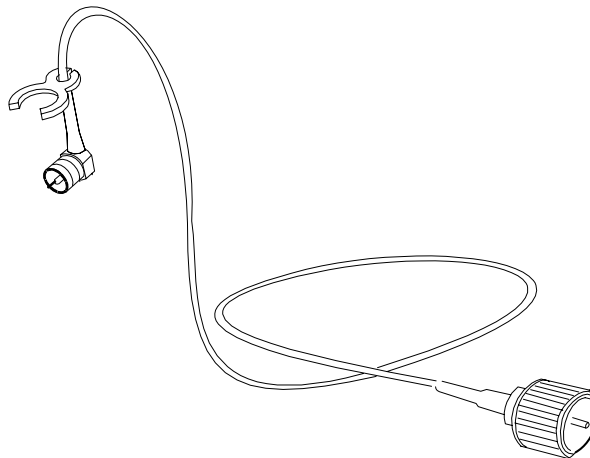


Product Code

External Antenna Cable XRC-1: 0730103 External Antenna Cable XRC-2

External Antenna Cable XRC-2

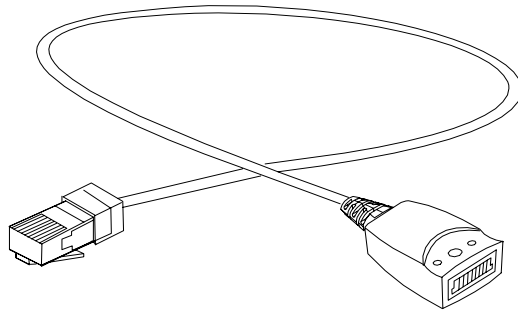
XRC-2 is a modular cable with N connector for RF measurements.



Product Code

External Antenna Cable XRC-2: 0730180

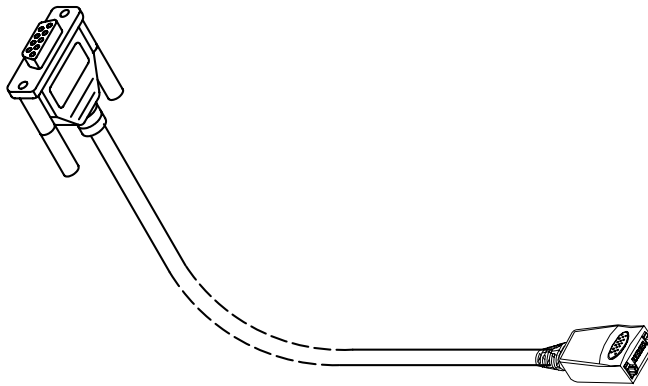
Data Adapter Cable DAC-2



Product Code

Data Adapter Cable DAC-2: 0720100

RS232 Adapter Cable DLR-3

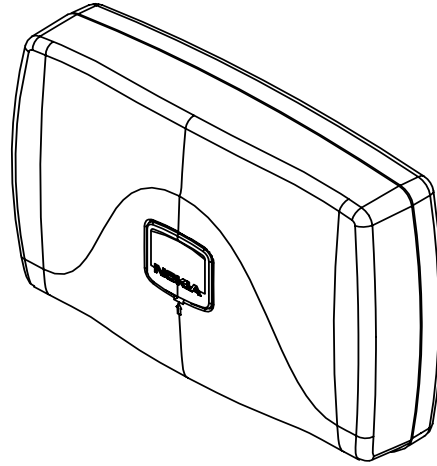


Product Code

RS232 Adapter Cable DLR-3: 0730156

Handsfree Unit HFU-2

The HFU-2 handsfree unit enables the phone to operate in handsfree mode with used with CARK-91.



Product Code

Handsfree Unit HFU-2:

0694049